

## User Manual

# OriCell™ IPEC-J2 Porcine Small Intestinal Epithelial Cell Line with RFP

Catalog No. P1-0104



## Introduction

---

OriCell™ IPEC-J2 Porcine Small Intestinal Epithelial Cell Line is a non-transformed, continuously proliferating normal epithelial cell line derived from the jejunal epithelium of neonatal unsuckled piglets. It is capable of forming a structurally and functionally intact epithelial barrier, exhibiting excellent polarized differentiation and stable physiological properties. This cell line closely recapitulates the in vivo intestinal epithelial microenvironment and serves as a well-established in vitro model for studies of porcine and comparative intestinal biology.

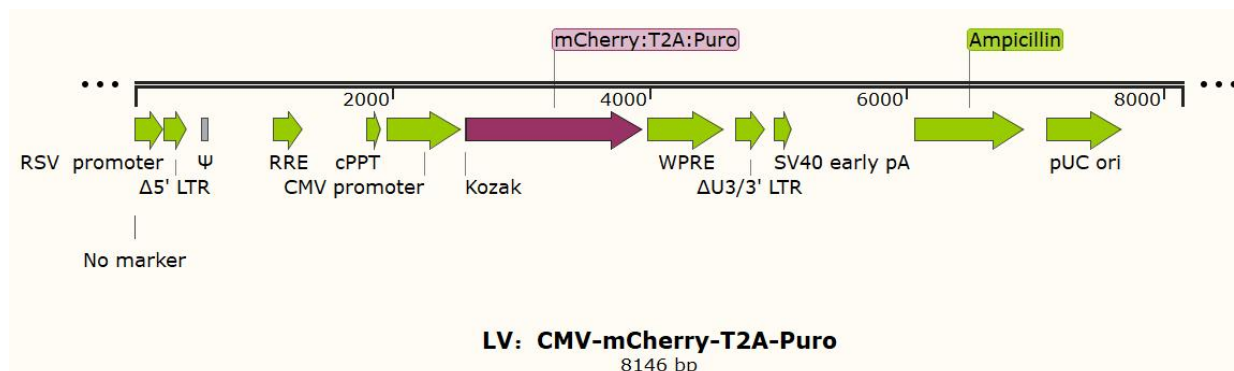
Compared with tumor-derived cell lines (such as Caco-2), IPEC-J2 more accurately reflects the metabolic activity, barrier function, and host-pathogen response of normal intestinal epithelial cells, owing to its non-tumor origin. Therefore, it offers enhanced biological relevance for investigations into intestinal barrier function, nutrient absorption and transport, host-microbe interactions, and mechanisms of infection and inflammation. In addition, it is widely used in 3D cell culture systems and in vitro intestinal model development.

OriCell™ IPEC-J2 Porcine Small Intestinal Epithelial Cell Line with RFP is generated by transducing the parental cell line with a recombinant lentiviral vector encoding RFP, resulting in stable expression of the reporter gene. This cell line can be used for various in vitro and in vivo studies requiring cell tracking.

**Note:** This product is intended for research use only and is not for diagnostic, therapeutic, clinical, household, or any other applications.

When citing our products in academic publications, please use the following format: “OriCell™ [Product Name] + [Catalog Number], from Cyagen Biosciences.”

## Expression Vector



## Product Information

Product Name	OriCell™ IPEC-J2 Porcine Small Intestinal Epithelial Cell Line with RFP
Alternative Name	IPEC-J2 with RFP
Catalog Number	P1-0104
Amount of Cells	1×10 <sup>6</sup> cells/vial
Tissue Origin	Porcine Small Intestine
Cell Characteristics	Adherent Growth; Epithelial-like
Culture Conditions	95% air; 5% CO <sub>2</sub> ; 37 °C
Culture Medium	DMEM + 10% FBS
Doubling Time	24 ~ 48 h
Passage Number	1
Storage at	Liquid Nitrogen (-196 °C)
Precautions	Fluorescence Selection: If RFP fluorescence is weak, add puromycin (0.5–2 μg/mL) for 2–4 days every 3–5 passages. Stop selection once fluorescence visibly increases.

**Note:** This product is manufactured under strict aseptic conditions. You may choose to add antibiotics during subsequent culturing based on your specific needs.

## The Morphology of OriCell™ IPEC-J2 Cell Line with RFP



### QC

---

- Pass the detection of bacteria, fungi, mycoplasma, and endotoxins.
- Verified by cell recovery viability testing.
- Verified by STR analysis.

Please refer to "COA" for details.

### General Handling Principles

---

1. Maintain strict aseptic technique. Ensure complete sterility throughout all procedures, particularly within the laminar flow hood and incubator.
2. Follow standardized protocols. Adhere strictly to the product manual. Implement rigorous control over experimental variables and include appropriate parallel controls.
3. Use high-quality consumables and reagents. This product requires culture vessels suitable for adherent growth, and the reuse of these vessels is not recommended. The reagents used must be validated for reliability, cell compatibility, and batch-to-batch consistency.

**Note:** The cryopreservation medium of this product contains DMSO, which may pose potential risks.

Please handle it with care.

\*The abbreviations used are defined as follows:

Abbreviation	Name	Cat. No.
FBS	Fetal Bovine Serum	See official website
BCS	Bovine Calf Serum	SBCST-01001
Glu	Glutamine	SGLU-10201
SP	Sodium Pyruvate	SCSP-10301
Dex	Dexamethasone	SDEX-10401
NBCS	Newborn Calf Serum	NCSST-01001
HS	Horse Serum	SCHST-01001
NEAA	Non Essential Amino Acid	NEAA-10201
β-mer	β-mercaptoethanol	BMER-10301
P/S	Penicillin- Streptomycin	ATPS-10001
ITS	Insulin, Transferrin, Selenite	ITSS-10201

## Thawing and Culturing of Cells

---

### Materials Required

- OriCell™ IPEC-J2 Porcine Small Intestinal Epithelial Cell Line with RFP (Cat. No.: P1-0104)
- OriCell™ Complete Medium For IPEC-J2 Cell Line (Cat. No.: CMP1-0101)

### Steps

**Note:** If thawing is planned within 24 hours of receipt, store the cells in an ultra-low temperature freezer at -80 °C. For long-term storage (>24 hours) , keep them in liquid nitrogen. Before thawing,

transfer the cells from liquid nitrogen to  $-80\text{ }^{\circ}\text{C}$  and hold them there for 10 minutes. This will allow any residual liquid nitrogen to evaporate and prevent vial explosion.

1. Pre-warm the water bath to  $37\text{ }^{\circ}\text{C}$ .
2. Warm the complete medium to  $37\text{ }^{\circ}\text{C}$ .
3. Add at least 5 mL of pre-warmed complete medium to a 15 mL centrifuge tube for subsequent use.
4. Remove the cryovial containing cells from the  $-80\text{ }^{\circ}\text{C}$  freezer, immerse it in the  $37\text{ }^{\circ}\text{C}$  water bath, and gently and quickly swirl to thaw the cryopreservation medium.

**Note:**

(1) Gently swirl the cryovial during thawing to ensure rapid and uniform thawing.

(2) Avoid submerging the cap in water to prevent contamination.

(3) Stop thawing in the water bath when only a single ice crystal (approximately 2 mm in diameter) remains, then continue gently swirling the vial until it is completely thawed.

5. Wipe the outer surface of the cryovial with 75% ethanol.
6. In a biosafety cabinet, open the cryovial and transfer the cell suspension to the prepared centrifuge tube using a Pasteur pipette.
7. Rinse the cryovial once with 1 mL of complete medium to collect residual cells and minimize loss.
8. Centrifuge the cell suspension at  $250 \times g$  for 4 minutes.

**Note:** Please calculate the corresponding rotational speed using the formula:  $\text{RCF} = 1.118 \times 10^{-5} \times r \times \text{RPM}^2$  (where RCF is the relative centrifugal force,  $r$  is the rotor radius in cm, and RPM is the rotational speed).

9. Carefully remove the supernatant after centrifugation. Add 2 mL of complete medium, gently resuspend the cell pellet by pipetting up and down to mix thoroughly.
10. Seed the cells into a T25 flask or culture vessel with an equivalent growth surface area. Add

sufficient complete medium so that the total volume in a T25 flask is no less than 5 mL.

11. Gently swirl the flask to evenly distribute the cells, then incubate in a CO<sub>2</sub> incubator at 37 °C with 5% CO<sub>2</sub> and saturated humidity.

**Note:** Do not move or observe the cells within the first 2 hours after seeding, as this may impair cell adhesion, causing poor morphology, clumping, and uneven attachment.

12. On the day after recovery, observe cell status and either replace the medium with fresh complete medium or passage the cells as needed.

**Note:** If an excessive number of floating cells or any abnormal conditions are observed, investigate promptly and contact us for assistance.

13. Replace the complete medium every 3 days until the cells reach approximately 95% confluence, at which point they are ready for passage.

## Passaging of Cells

---

### Materials Required

- OriCell™ 0.25% Trypsin-0.04% EDTA Solution (Cat. No.: TEDTA-10001)
- OriCell™ Phosphate-Buffered Saline Solution (1X) (Cat. No.: PBS-10001)
- OriCell™ Complete Medium For IPEC-J2 Cell Line (Cat. No.: CMP1-0101)

### Steps

1. Pre-warm the complete medium, PBS and trypsin to 37 °C.
2. Remove the medium in the culture vessel.
3. Gently wash the cells twice with PBS (approximately 3 mL for a T25 flask or 6 mL for a T75 flask). Ensure thorough washing but avoid excessive force. Then remove the PBS.

4. Add trypsin (approximately 1.5 mL for a T25 flask or 3 mL for a T75 flask), quickly spread it to ensure full coverage of the cell layer.
5. Observe the cells under a microscope. When approximately 70% to 80% of the cells have shrunk and become round, gently tap the outer wall of the culture vessel to detach the cells from the surface.
6. Immediately add complete medium (approximately 3 mL for a T25 flask or 6 mL for a T75 flask), then gently swirl the culture vessel to mix the medium and trypsin, stopping the digestion process.
7. Collect the cell suspension using a pipette, gently pipetting along the bottom of the vessel several times to ensure maximal recovery of the cells.

**Note:** Pipetting should be performed gently to avoid creating excessive bubbles, as this may cause cell damage or loss.

8. Transfer the cell suspension to a centrifuge tube. Rinse the culture vessel once with PBS (approximately 3 mL for a T25 flask or 6 mL for a T75 flask) to collect residual cells and add the wash to the centrifuge tube.
9. Centrifuge all collected cell suspensions at  $250 \times g$  for 4 minutes.
10. Carefully remove the supernatant after centrifugation. Add 2 mL of complete medium and gently resuspend the cell pellet by pipetting up and down to thoroughly mix.
11. Seed the cells into a suitable culture vessel at a density of  $(2-3) \times 10^4$  viable cells/cm<sup>2</sup>, or adjust the seeding density based on the actual growth conditions of the cells.

**Note:** We recommend manual cell counting when conditions permit and counting efficiency is high, in order to obtain an accurate cell concentration to guide seeding. If precise counting is not feasible, subculturing at an appropriate ratio is a better alternative. Typically, IPEC-J2 cells with RFP are passaged at a ratio of 1:3 to 1:4, with cells reaching passage confluence within 48 hours. Please adjust the subculture ratio according to the actual condition of the cells.

12. Gently agitate the vessel to ensure uniform cell distribution and place it in an incubator at 37 °C, 5% CO<sub>2</sub>, and saturated humidity.
13. On the day after passaging, observe the cell condition. If a significant number of floating cells are present, replace the culture medium.
14. Replace the culture medium every 3 days. When cells reach 95% confluence, passage or cryopreserve the cells.

## Cryopreservation of Cells

---

### Materials Required

- OriCell™ NCR Protein-Free Cryopreservation Medium For General Use (Cat. No.: NCPF-10001)
- OriCell™ NCR Cryopreservation Medium For General Use (Cat. No.: NCRC-10001)

### Steps

1. Cells should be cryopreserved once they reach an appropriate density suitable for passaging.
2. For cell digestion, please refer to passaging steps 1-9 above.
3. Carefully remove the supernatant after centrifugation and gently resuspend the cells in an appropriate volume of cryopreservation medium.
4. Aliquot the cells into cryovials according to the desired cell number or proportion.

**Note:** If accurate cell counting is not feasible, we recommend aliquoting cells proportionally for freezing. Prolonged exposure to non-culture conditions will significantly compromise cell viability. Maintain the cells at 4 °C during counting to minimize metabolic activity and preserve cell integrity.

5. When using any of the recommended NCR cryopreservation media above, cryovials can be directly placed individually into a -80 °C freezer.

**Note:** Avoid opening the freezer door during the first 4 hours of freezing, as temperature fluctuations can adversely affect cell viability.

6. After approximately 8 hours, transfer the cryovials to liquid nitrogen for long-term storage.

**Note:** Do not store the cryovials at  $-80^{\circ}\text{C}$  for more than 48 hours.

Cyagen Biosciences (Suzhou) Inc. reserves all rights to the technical documents of OriCell™ cell culture products. Without the written permission of Cyagen Biosciences (Suzhou) Inc. any part of this document shall not be adapted or reprinted for other commercial purposes.